

Speech Synthesiser Module

Type CX-Speech

Publication Number PB181/1006

Application

The CX-Speech Module has been specifically designed to plug into the Dewhurst CX-Basic Serial Encoder Board. Through dedicated inputs on the encoder it provides facilities for floor identification, door opening, door closing, direction of travel as well as warning and information announcements.

There is a large vocabulary of English phrases that will cover the majority of requirements. However, custom phrases can be accommodated.

The CX-Speech announcements provide clear information to lift users and are of particular importance to blind and partially sighted people for applications requiring compliance to Lift and Building Regulations.

Installation

The CX-Speech is supplied with a loudspeaker and two line transformers, which allows the speaker to be situated up to 300 metres away from the speech module.

For optimum sound quality we recommend that the loudspeaker be mounted in the roof of the lift car or alternatively, it could be mounted behind a grill in the car control station or any other suitable location.

Since the CX-Speech is mounted in the machine room, the line transformers supplied need to be used in order to ensure minimum line resistance loss and distortion. This is dependant on cabling and distance.

The CX-Speech incorporates a control to adjust normal speech volume.

Specification

Power Supply	12-24V a.c. or 12 - 30V d.c.	
Consumption	Average 50mA, Peak 200mA	
Input Signals	12-24V (+-15%)	
Audio Output	2.5 watts	
Dimensions (mm)	Speech Module	91.5L x 128W x 23.25D
Weight	100g	
Dimensions(mm)	Speaker	87L x 87W x 32D
Weight	150g	
Four fixing holes are provided 71mm apart on both width and height		
Phrase Time	120 seconds total capacity	
Dimensions (mm)	Transformer	42L x 73W x 33D
Weight	50g	

Features

- Up to 64 floor phrases
- Up to 50 auxiliary phrases
- Two direction messages
- All the above are derived via the inputs into the CX-Basic encoder
- Minimal wiring requirement
- Volume control

EEC Directives

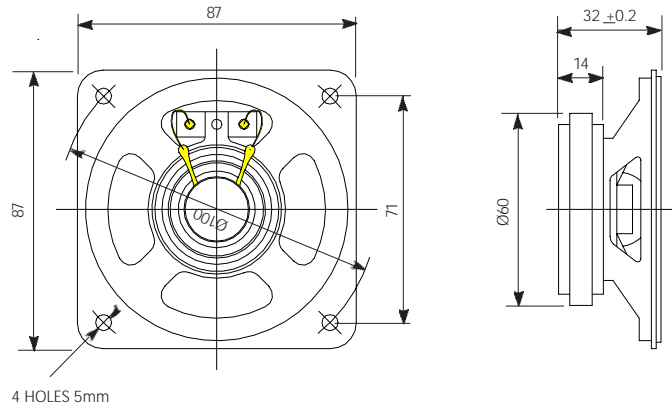
This component has been designed with due consideration to both BSEN81 parts 1 & 2 and the EMC Regulation BSEN12015 and BSEN12016 for incorporation in a lift application.

Power must be switched OFF before any maintenance is carried out.

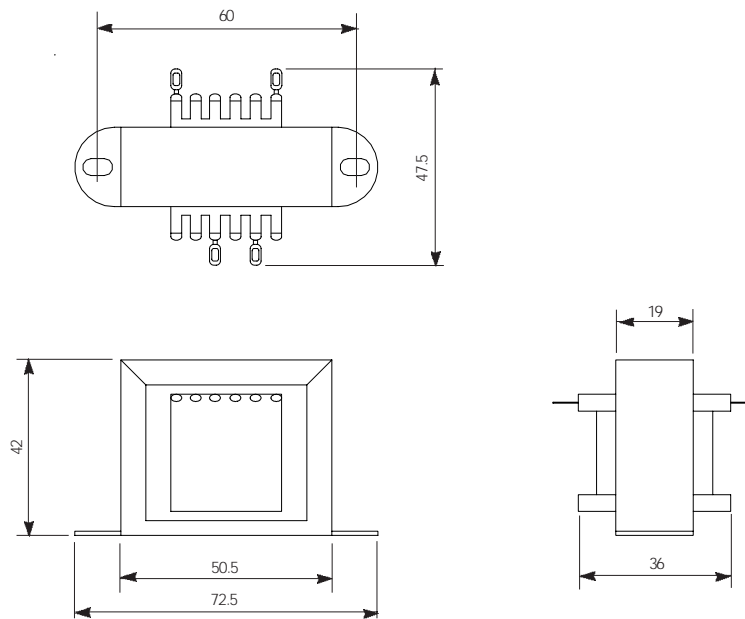
Dewhurst plc t +44 (0)20 8607 7300 f +44 (0)20 8572 5986 info@dewhurst.co.uk www.dewhurst.co.uk
 Contact your local sales office:

Australia	D Australian lift components	t 02 9603 0200	f 02 9603 2700	info@alc.au.com	www.alc.au.com
	D lift material	t 02 9310 4288	f 02 9698 4990	info@liftmaterial.com	www.liftmaterial.com
Canada	D dupar controls	t 519 624 2510	f 519 624 2524	info@dupar.com	www.dupar.com
UK	D LiftStore	t 020 8538 1770	f 020 8538 1771	info@liftstore.com	www.liftstore.com
USA	D the fixture company	t 847 214 3100	f 847 214 2771	info@thefixtureco.com	www.thefixtureco.com

SPEAKER TEMPLATE FIXING



LINE TRANSFORMER



SPEECH PCB

