

Lantern

Type UL200 Pyramid Lantern Arrow

Publication Number: PB148/0308

Application

The UL200 LED Illuminated Pyramid Lantern Arrow is an economically priced vandal resistant arrow, whose clean design will match the decor of any lift.

The high brightness LED illumination ensures a brilliant and clearly illuminated arrow, easily visible at long distances and from wide angles. This product meets the requirements of EN81-70 for landing signals.

LED Illumination

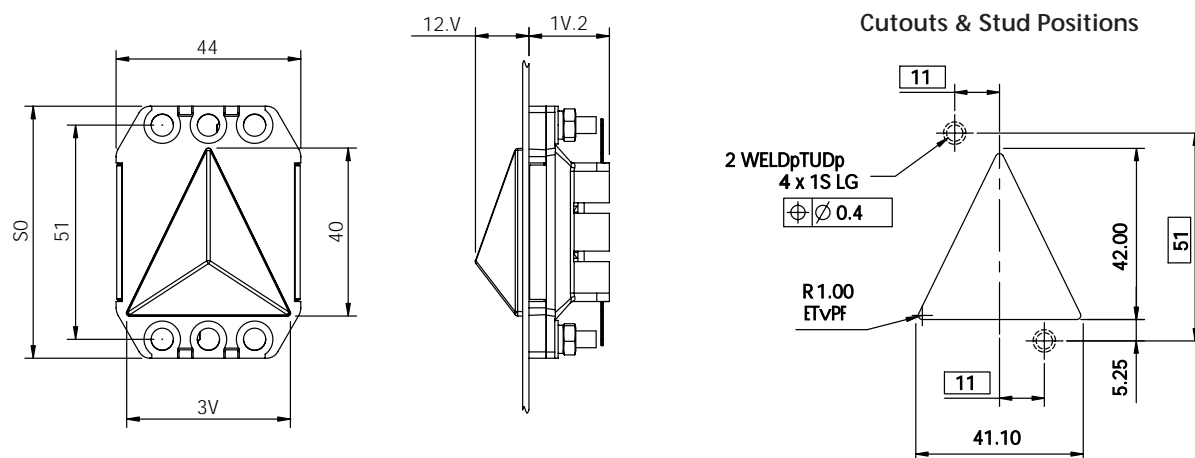
The two surface mounted LED's brightly illuminate the arrow. 12V or 24V units are available and both will accept a.c. or full wave rectified d.c. with a $\pm 15\%$ voltage tolerance, taking approximately 20mA of current. The average operating life of the UL200 LED Lantern Arrow is in excess of 100,000 hours. Colours available are red, green, blue and white.

Construction

The low profile lantern body and front arrows are made from flame retardent polycarbonate to provide a high degree of vandal resistance.

Connections are by 250 series female, fully insulated connectors.

UL200 Low Profile Lantern arrow can be supplied loose or incorporated into stations with faceplate thickness ranging from 1.5mm to 3.0mm.



Voltage	Colour	Part Number
12V	Red	002087-04V001
	Green	002087-04V003
	White	002087-04V005
	Blue	002087-04V007
24V	Red	002087-04V002
	Green	002087-04V004
	White	002087-04V008
	Blue	002087-04V006

Dewhurst plc t +44 (0)20 8607 7300 f +44 (0)20 8572 5986 info@dewhurst.co.uk www.dewhurst.co.uk
Contact your local sales office:

Australia	D Australian lift components	t 02 9603 0200	f 02 9603 2700	info@alc.au.com	www.alc.au.com
	D lift material	t 02 9310 4288	f 02 9698 4990	info@liftmaterial.com	www.liftmaterial.com
Canada	D dupar controls	t 519 624 2510	f 519 624 2524	info@dupar.com	www.dupar.com
UK	D LiftStore	t 020 8538 1770	f 020 8538 1771	info@liftstore.com	www.liftstore.com
USA	D the fixture company	t 847 214 3100	f 847 214 2771	info@thefixtureco.com	www.thefixtureco.com