

Electronic Gong

Series CJ50 (Low Profile)

Publication Number PB151/0404

Application

The Dewhurst CJ50 Electronic Gong is an audible indication for lift arrival at a floor. This low profile stand alone unit offers the choice of a single or double tone and is designed to function from 15 - 36V d.c. derived from a rectified and smoothed power supply at 12/24V a.c./d.c.

The CJ50 is suitable for use with the Dewhurst Profile station, which could also include the 30mm and 50mm ULSP digital display unit. These gongs require only two cable connections (Indicator/Gong up, Indicator/Gong Down), plus one cable connection per floor provided indicator and gong signal voltages are the same when used with ULS/ULSP range.

Two types are available (Option A) or (Option B) which are with and without PCB connector respectively (see overleaf).

NOTE: This component can be used to meet M2/S2* Building Regulations when a car arrival gong is fitted to the car. This gong should give at least 5 seconds notification that the lift is answering a landing call.

Operation

Connections to the electronic gong:	Single Gong:	Yellow wire	+ve
		Black wire	-ve
	Double Gong:	Red wire	+ve
		Black wire	-ve

By wiring the negative wire via the floor selector, the gong will only operate on car arrival

Installation

The stand-alone gong unit can be easily mounted onto any faceplate - for grilling details see overleaf. Three connecting leads of 200mm minimum length are provided together with a connector that can be plugged into any ULS/ULSP type display. It is important that a smoothed d.c. voltage is used for inputs of less than 24V, full details for the circuit are supplied with the gong.

Minimum cable size: 7/0.25 (0.34 mm²)

Current consumption: 80mA

Construction

PCB with speaker grille and hardware are supplied with each unit.

Overall dimensions: 18.5mm x 89.5mm x 50mm

Weight: 97 grams

Temperature range: Operating: 30°C to 100°C
Storage: 55°C to 125°C

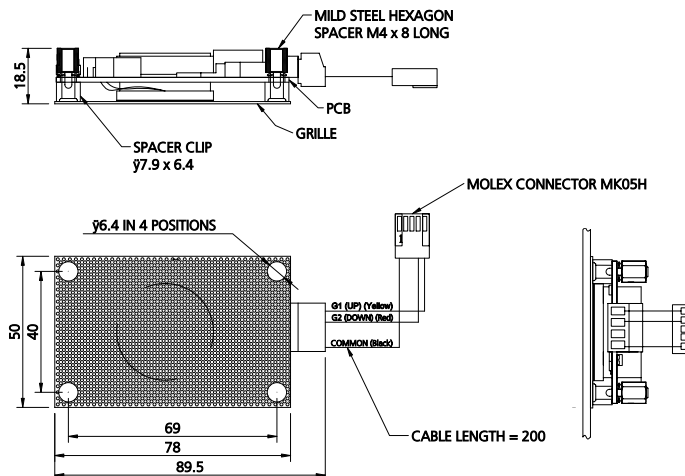
EEC Directives

This component is designed with due consideration to both BSEN81 Parts 1 & 2 and the EMC Regulation prEN12015 for incorporation in a lift application.

- *M2 The Building Regulations 1991 Access and Facilities for Disabled People. Access and Use M2 (England and Wales).
- S2 Technical Standards (Building Regulations) Part S : Access and Movement within Buildings and Protective Barriers. Movement within Buildings S2 (Scotland).

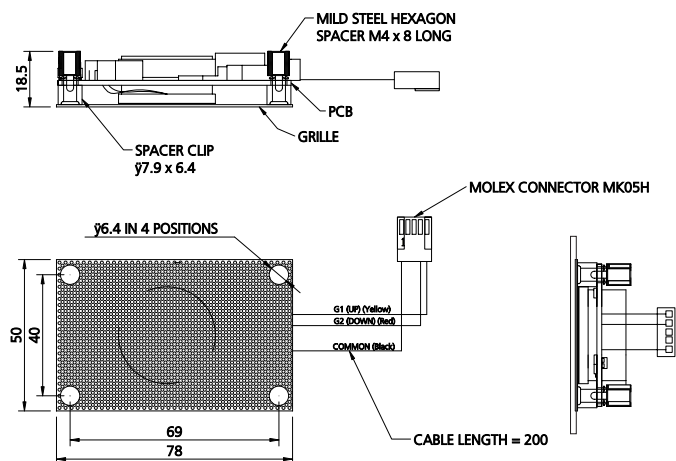
OPTION A - WITH PCB CONNECTOR

(Part Number 002097-500001)



OPTION B - WITHOUT PCB CONNECTOR

(Part Number 002097-500002)



STUD & GRILLE DETAILS

